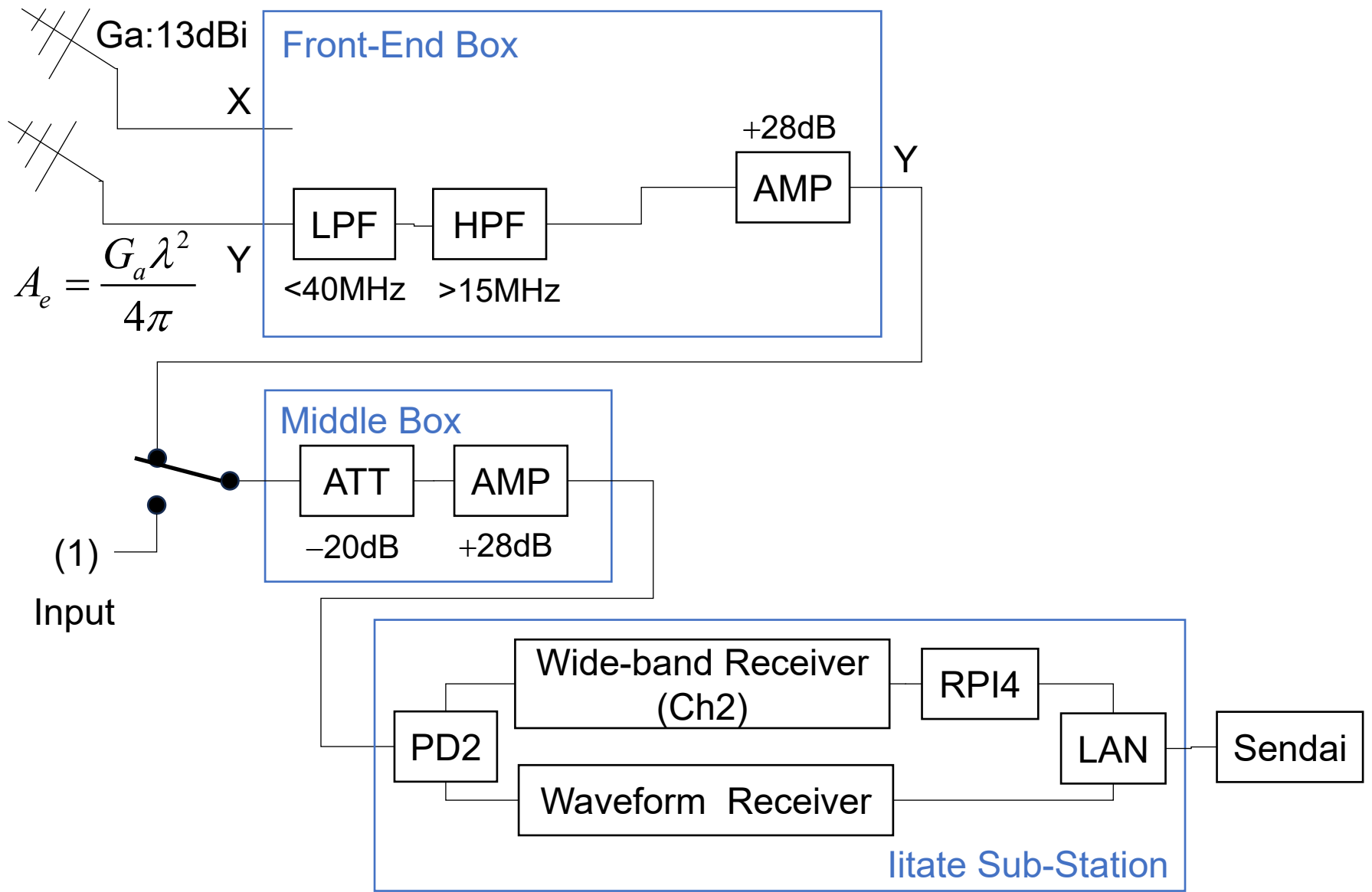


Block Diagram of litate HF Receiver (Dec. 12, 2025)
 (ANT-A/B/C/F/G/H, Wideband Spectrum Ch1)



Block Diagram of litate HF Receiver (Dec. 12, 2025)
 (ANT-DY, Wide-band spectrum Ch2)